



*The*  
**Eighteen  
Seventy-Five**  
*Collection*



RealWoodFloors

Chiswick



# RealWoodFloors

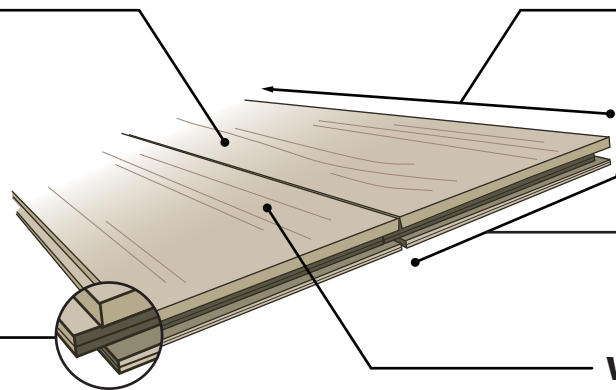
## The Eighteen Seventy-Five Collection

### BEAUTY + BRAWN

- Easy Clean, Satin Matte Finish
- 25 Year Residential Warranty
- Weathered Textures and Gently Brushed Grain

### GO LONG!

- Variable Lengths up to 6'
- Exceeds Industry Standard



**6" WIDE PLANK**

### MULTI-PLY CORE

- Versatile Installation Capabilities
- Engineered for Maximum Stability
- Renewably Sourced Core Material
- Cross Directional Hardwood Substrate

### WELL BUILT

- 3/8" Thick Profile
- 1.5mm Sliced Hardwood Veneer
- Highest Caliber Precision Milling



Brunel WHITE OAK



Putney WHITE OAK



Wandsworth WHITE OAK



Thames WHITE OAK



Surrey WHITE OAK



Chiswick MAPLE



Brixton MAPLE



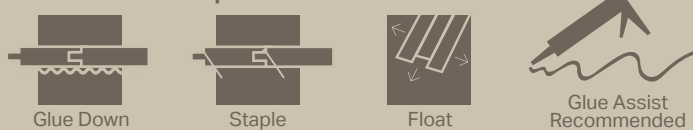
St. Albans MAPLE

### A Good Year for Flooring. A Great Floor for You.

In early 19th century London, Marc Brunel pioneered a new technique for slicing veneers from hardwood lumber. This process of making veneer, perfected in 1875, maximizes efficiency while preserving the natural grain of the lumber, making it a beautiful and economical way to build an engineered floor. To celebrate this marvel of engineering, Real Wood Floors offers The Eighteen Seventy-Five Collection.

© 2019 Real Wood Floors

### Installation Options



### Trim Options



All trim pieces crafted to match species and color